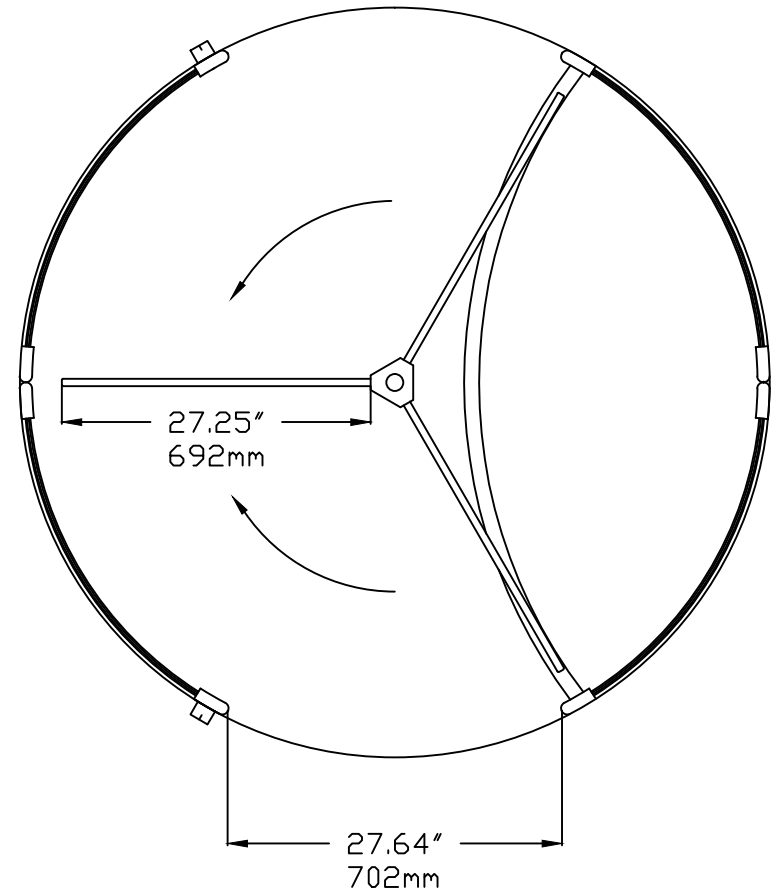
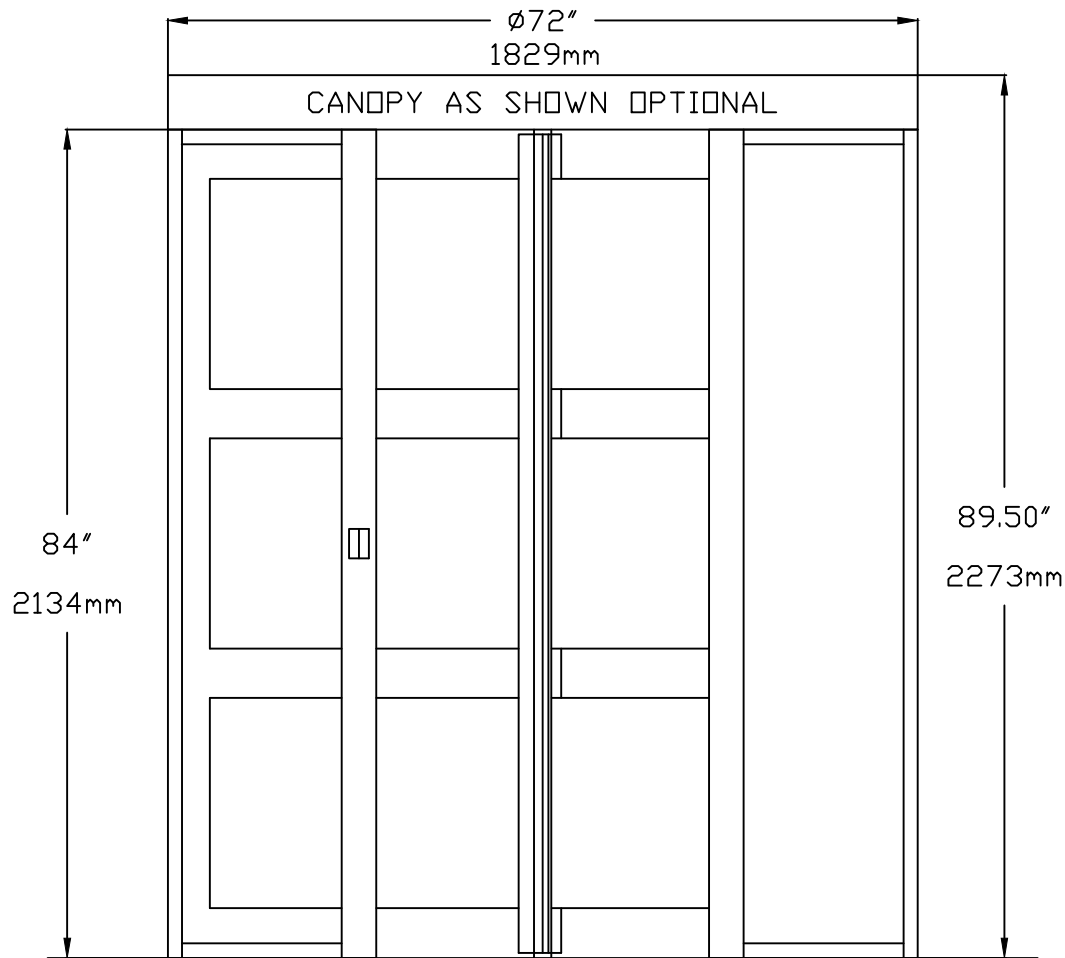


P.N. SEN-P60



| | | | |
|-----------------------------|---|--------------|------------------|
| MATERIAL: | SCALE: 20=1 | APPROVED BY: | DRAWN BY: LC III |
| N/A | DATE: 10/8/98 | | REVISED: |
| FINISH: N/A | TURNSTILE - FACTORY 1515 West 130th Street Hinckley, Ohio 44233 WWW.TURNSTILE-FACTORY.COM | | |
| TOL. UNLESS OTHERWISE SPEC. | | | |
| .X \pm .1 | .XXX \pm .015 | P60 ASSEMBLY | |
| .XX \pm .03 | ANGLES .5° | | |