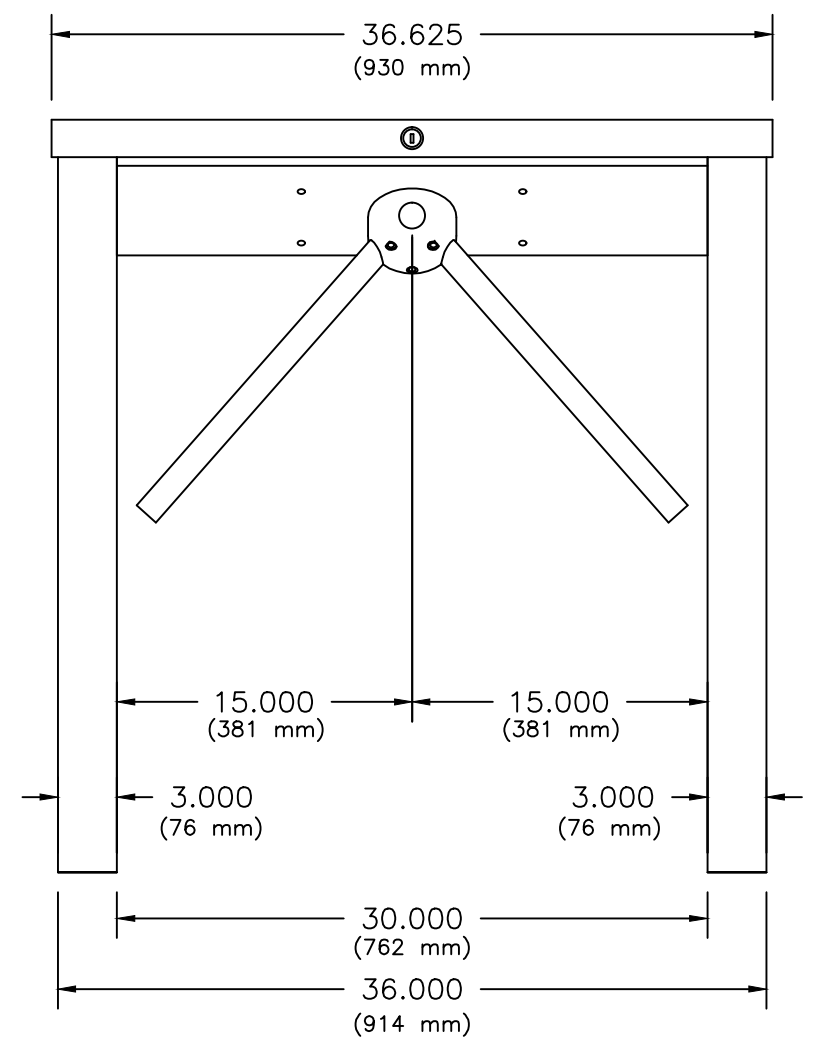
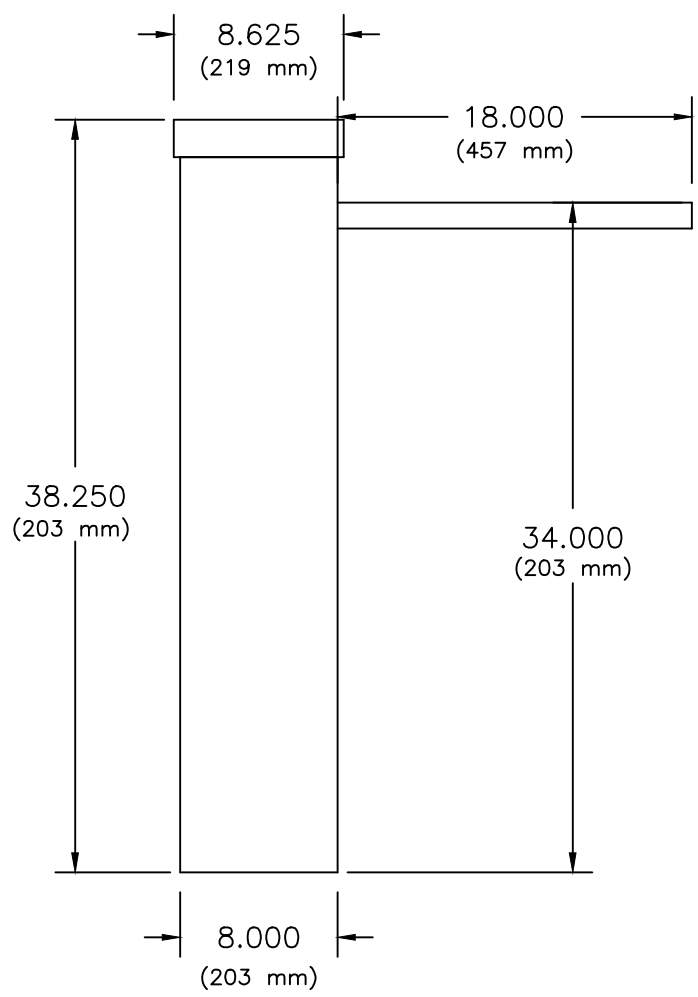


P.N. PT-S



MATERIAL:	SCALE: 10=1	APPROVED BY:	DRAWN BY: LC
304 STAINLESS STEEL	DATE: 8/5/04		REVISED:
FINISH: NO. 4 SATIN	TURNSTILE - FACTORY 1515 West 130th Street Hinckley, Ohio 44233 WWW.TURNSTILE-FACTORY.COM		
TOL. UNLESS OTHERWISE SPEC.			
.X ± .1 .XXX ± .015	PASS THRU TURNSTILE		
.XX ± .03 ANGLES .5°			