

The Stadium FastPass™ Series Waist-High Turnstiles **FP500-ADA**

Handicapped Accessible Gate • Interior and Exterior Application



The Stadium FastPass™ Series is made for years of reliable service in high traffic/volume applications like stadiums, convention centers, landmarks and military bases. The cabinets are constructed of heavy 14-gauge, 300 series satin stainless steel and feature our Enduro Control Head (with auto indexing and shock suppression technology). Thousands are currently in use at leading pro-sports venues, amusement parks and high-profile attractions worldwide. The Stadium FastPass is the ticket to managing large crowds with reliability and speed.



FP500-ADA
ADA gate can be motorized.

We're the #1 Choice of Top Architects, Security Pros and Government Engineers

For two decades, our company has been the globally trusted name in pedestrian control equipment. Made in Ohio and shipped worldwide, we are the first choice of leading architects, facility managers, security consultants and government engineers. Whether your project requires high-security, full-height turnstiles, waist-high units, or matching ADA accessible gates, The Turnstile Factory is your secure choice. And, we're experienced in access control systems, from card readers to biometric scanning, to give you the power to control access.

 Made in Ohio...
In-Service World-Wide

TURNSTILE-FACTORY.com

1515 West 130th Street • Hinckley, Ohio 44233 • Ph: 330.273.6185 • Fax: 330.273.4468 • Toll-Free Ph: 800.942.0829 • Toll-Free Fax: 800.942.0828
E-mail: sales@turnstile-factory.com • www.turnstile-factory.com

KEEPING YOUR PROPERTY SECURE

The Stadium FastPass™ Series Waist-High Turnstiles

FP500-ADA

Handicapped Accessible Gate • Interior and Exterior Application



Applications:

This ADA compliant unit is the matched partner to the FastPass waist-high turnstiles, which are made for years of reliable service in high traffic/volume environments like stadiums, convention centers, amusement parks, landmarks and military bases.

Product Features:

Materials and Finishes:

Units are finished in your choice of:

- Our signature 304 stainless steel/ No. 4 satin finish
- Designer powder coat colors to match any décor

Design & Construction:

- Designed for secure & reliable operation with aesthetics in mind
- Cabinet inner and outer shells and cover are constructed of (14 gauge) 304 stainless steel/ No. 4 satin finish
- Arms constructed of 1 5/16" (33mm) diameter, (12 gauge) stainless
- Hub 4 1/2" (114mm) o.d. also made from stainless
- Minimal exposed hardware

Measures:

- Height: 37" (940mm)
- Width: 27 1/4" (692mm)
- Depth: 10 3/4" (273mm)

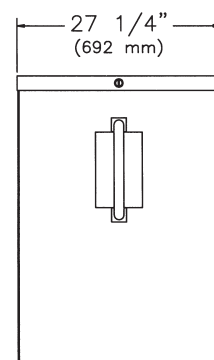
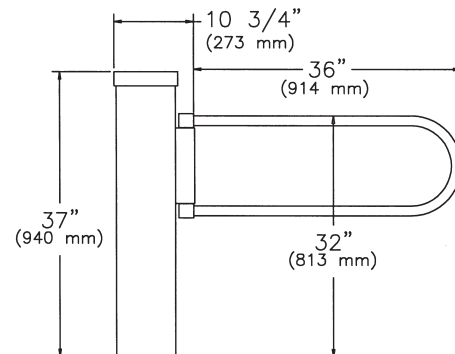
Controller & Access Control Operation:

- Self-centering control head with adjustable hydraulic shock suppression
- Hardened tool steel locking bars, cam and roller assemblies
- Permanently lubricated bearings
- All units are available in clockwise, counter-clockwise or bi-directional passage
- Key Locks are available to independently lock both directions of travel on FP500-ADA units that have ELECTRONIC CONTROLS ONLY. Manual FP500-ADA units cannot have a key lock.

Options:

- Electronic lock modules include heavy-duty 24 vdc pull-type industrial solenoids:
- Available in each separate direction: fail-safe (open on power failure) or fail-lock (lock on power failure) modes
- Interfacing to card readers, computer attendance systems, coin and token acceptors, push buttons and wireless remote controls
- Electronic 6 digit resettable counter with LXD display and ten-year lithium battery
- Additional options available on request

Our matching FastPass Turnstiles (model FP500 portable, coin, ticket, or scanner models) are available for the FastPass Series.



ENDURO™ Electronic Control Head

EA Controlled Traffic flow both directions

EB Controlled Traffic flow one direction, uncontrolled opposite direction

EC Controlled Traffic flow one direction, no traffic flow opposite direction

ENDURO™ Manual Control Head

MD Uncontrolled traffic flow one direction, no traffic flow opposite direction

MF Uncontrolled traffic flow both directions

MG Key controlled each direction

Electrical Specifications:

Command module input 110-240 VAC (2 amp-1 amp) 50-60 Hz; control voltage 24 VDC. All electrical components are UL recognized and CSA certified.

Standards and Codes:

Austenitic stainless steel: ASTM A240, A249, A276

Hot rolled steel: AISI C-1020, AISI C-1018

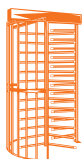
Hot dipped galvanizing: ASTM A-143, ASTM A-153-80

Stainless steel fasteners: ASTM A-320

American Welding Society (AWS) Standard D 1.1

Warranty:

Units are warranted against defects in materials and workmanship for a period of one year from date of delivery. See warranty information for specific details.



TURNSTILE-FACTORY.com

KEEPING YOUR PROPERTY SECURE

1515 West 130th Street • Hinckley, Ohio 44233 • Ph: 330.273.6185 • Fax: 330.273.4468 • Toll-Free Ph: 800.942.0829 • Toll-Free Fax: 800.942.0828
E-mail: sales@turnstile-factory.com • www.turnstile-factory.com