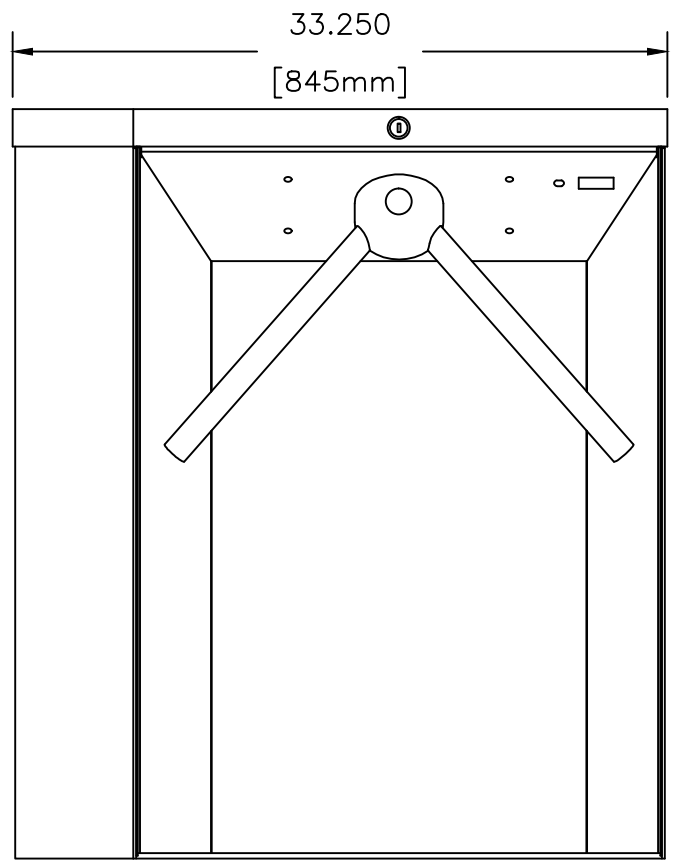
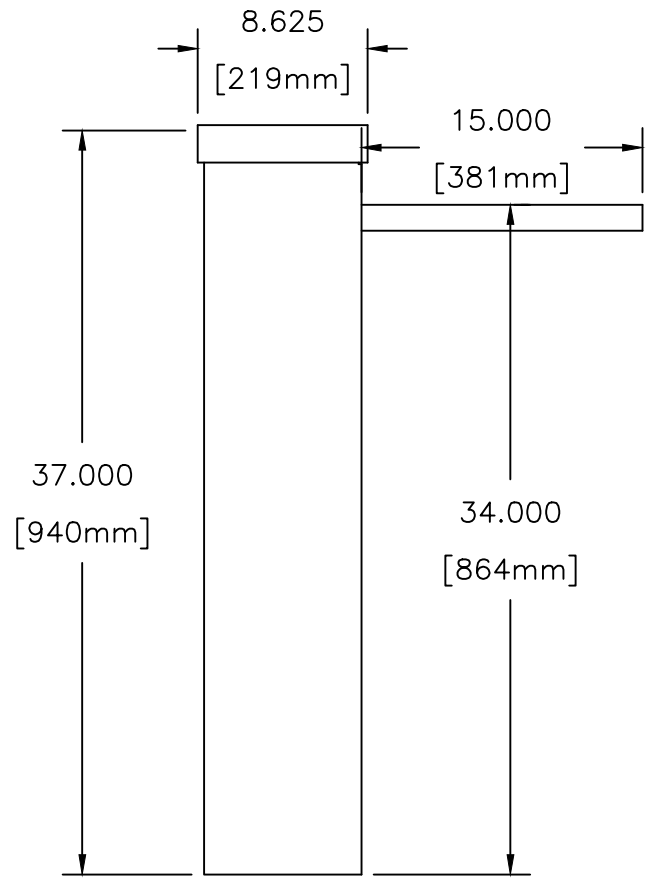


P.N. FP500-T/S



FP500-T/FP500-S

MATERIAL: 304 STAINLESS STEEL	SCALE: 10=1	APPROVED BY:	DRAWN BY: LC III
	DATE: 8/19/03		REVISED:
FINISH: NO. 4 SATIN	TURNSTILE - FACTORY 1515 West 130th Street Hinckley, Ohio 44233 WWW.TURNSTILE-FACTORY.COM		330-273-6185 FAX 330-273-4468 USA 1-800-942-0829 FAX 1-800-942-0828
TOL. UNLESS OTHERWISE SPEC. .X ± .1 .XXX ± .015 .XX ± .03 ANGLES .5°			FASTPASS TICKET/SCANNER TURNSTILE